



01M5

# PRODUCT CATALOGUE

WE SIMPLIFY  
YOUR LIFTING  
TASK

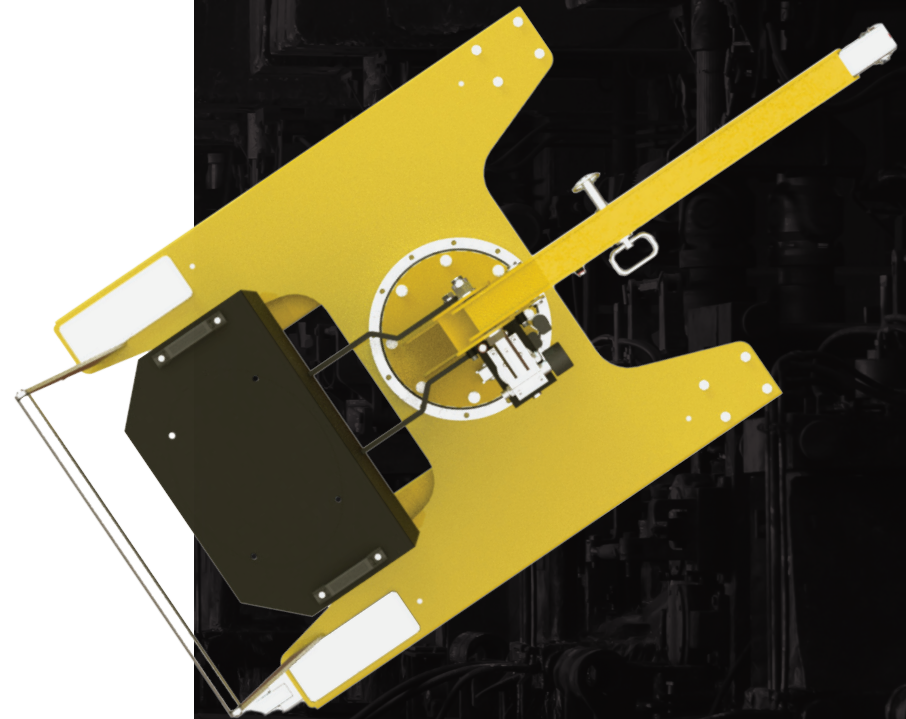
[www.flexlifting.com](http://www.flexlifting.com)





# COUNTER BALANCED CANTILEVER MINI CRANE

Our model 01M5 has been projected for lifting loads with ease and is a 500 kg counterbalanced swivel crane. Thanks to its compact dimensions it is easily maneuverable even at full load and can be moved effortlessly in confined spaces. The hydraulic system is equipped with a lock valve that prevents the load from falling in case of accidental breakage of the pipes and a rough valve that prevents overloading of the crane. It represents the most cost-effective and flexible solution for lifting and transporting loads in several applications such as machining centers and machine tools, delivery to assembly lines, assembly operations, goods handling.



LIFTING CAPACITY

**500 KG**

JIB ARM SWIVEL

**360°**

MAX. LIFTING HEIGHT

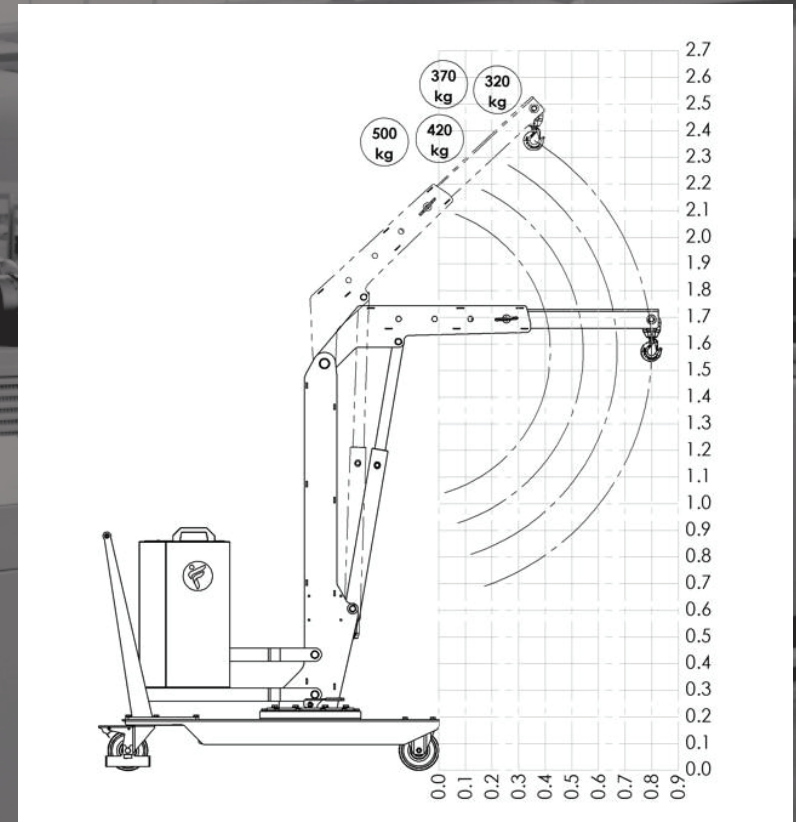
**3350 MM**

MAX OVERHANG

**2050 MM**

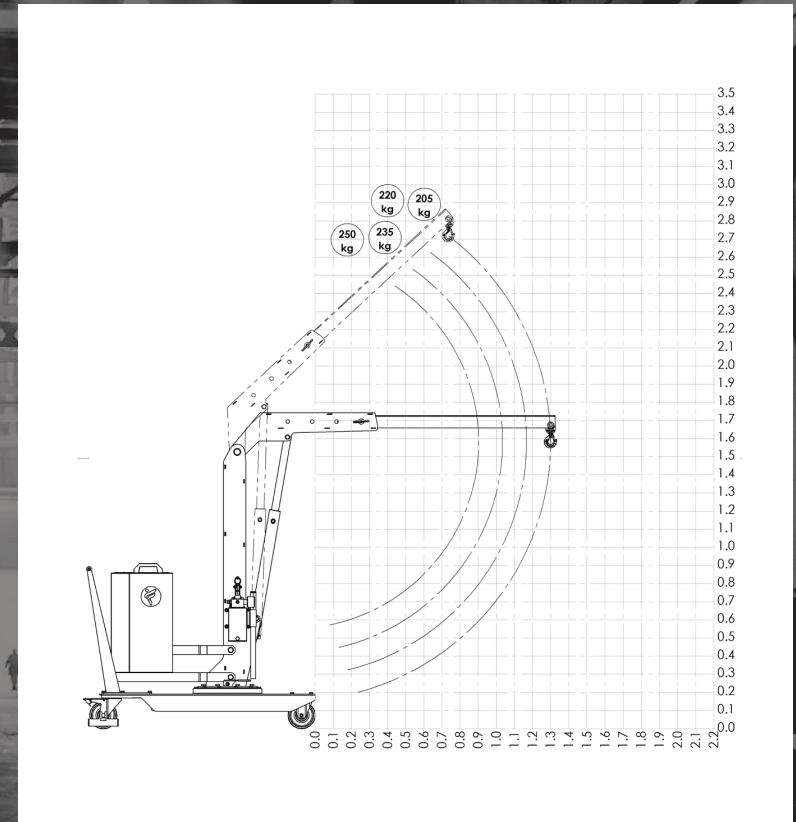
# LOAD CHART WITH STANDARD ARM

POS.	OVERHANG MM / INCH.	CAPACITY KG / LBS.
1	365 / 14	500 / 1102
2	500 / 20	420 / 926
3	635 / 25	370 / 816
4	770 / 30	320 / 705



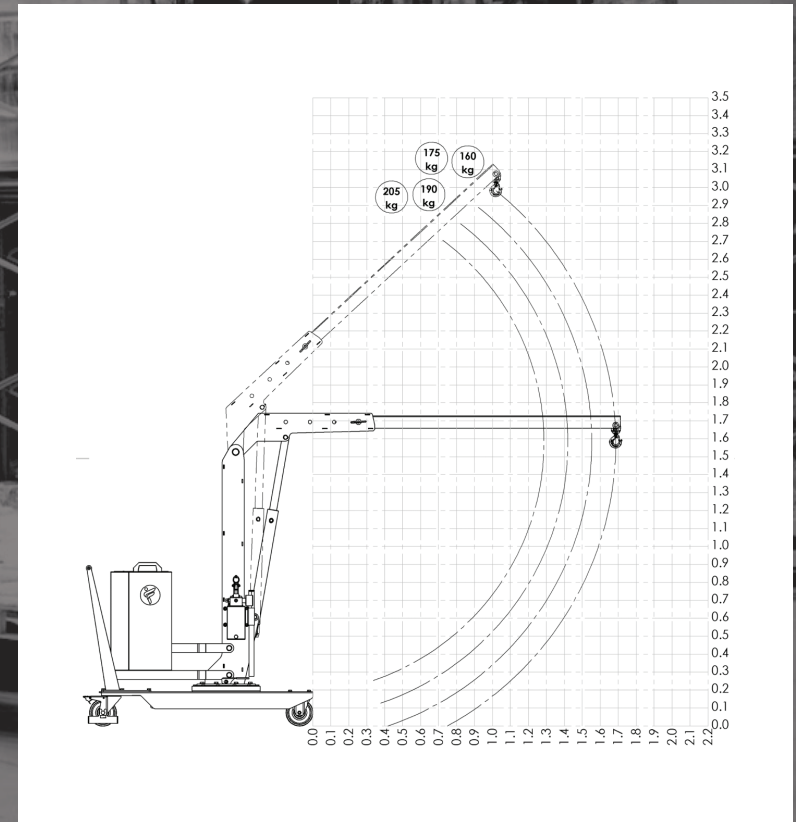
# LOAD CHART WITH OPTIONAL EXTENSION PZG1-MBP

POS.	OVERHANG MM / INCH.	CAPACITY KG / LBS.
1	865 / 34	250 / 551
2	1000 / 39	235 / 518
3	1135 / 45	220 / 485
4	1270 / 50	205 / 452



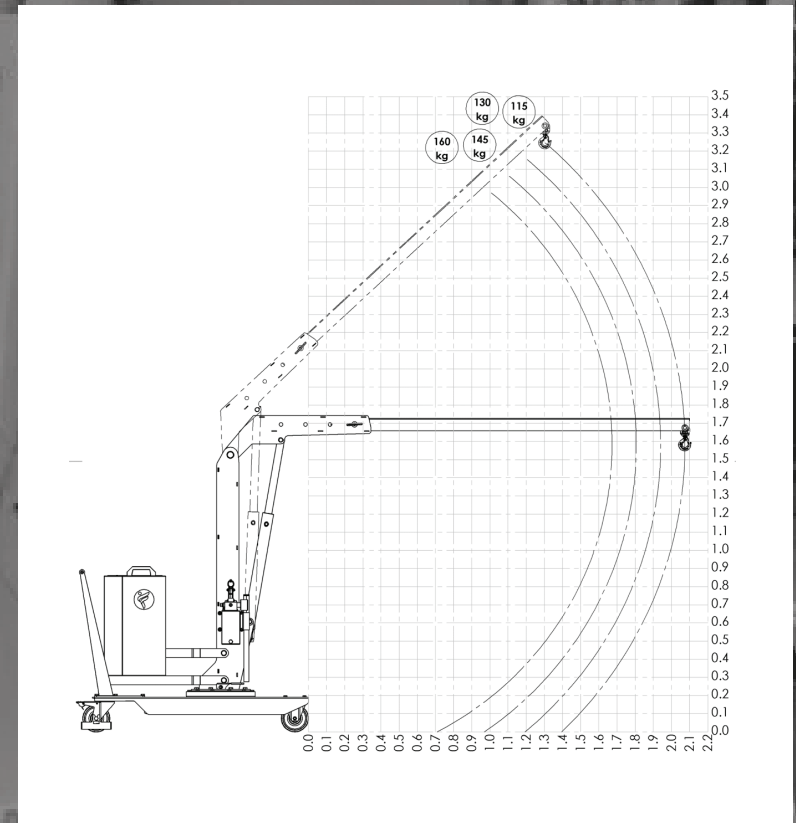
# LOAD CHART WITH OPTIONAL EXTENSION PZG2-MBP

POS.	OVERHANG MM / INCH.	CAPACITY KG / LBS.
1	1250 / 49	205 / 452
2	1385 / 54	190 / 418
3	1520 / 60	175 / 385
4	1655 / 65	160 / 352

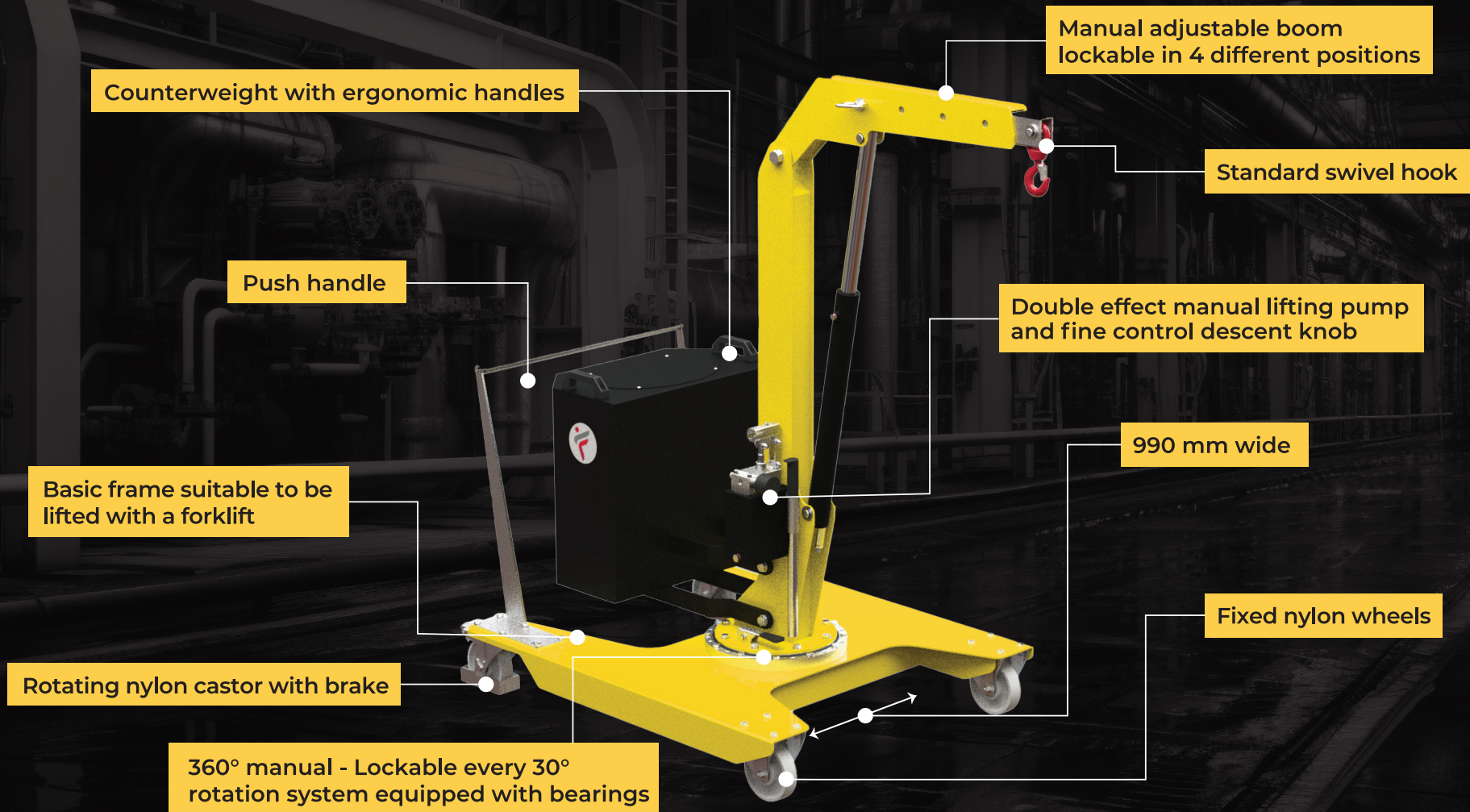


# LOAD CHART WITH OPTIONAL EXTENSION PZG3-MBP

POS.	OVERHANG MM / INCH.	CAPACITY KG / LBS.
1	1645 / 65	160 / 352
2	1780 / 70	145 / 319
3	1915 / 75	130 / 286
4	2050 / 81	115 / 253



# MAIN FEATURES



# 8 GOOD REASONS TO CHOOSE A FLEXLIFTING CRANE



## EASE OF USE

Thanks to their intuitive design our cranes are easy to use and do not require an extensive staff training. A user friendly solution that improves efficiency and productivity at once.

## NO INSTALLATION REQUIRED

All our cranes are counterbalanced which means that a load can be picked & carried without using outriggers. Just turn the key on to get the cranes working. Our cranes come fully assembled and are ready to use. No installation = zero additional costs and waste of time.

## VERSATILE AND FLEXIBLE

Unlike fixed cranes, mobile cranes can move to several plant areas. No licence required. Our cranes can get closer to the load even in presence of obstacles or perimeter protections. They can be equipped with several type of underhooks.

## COMPACT DIMENSIONS

One of the main benefits of mobile cranes is their level of flexibility. This is particularly important in areas that have limited space or many obstacles in the way, and since they take up a lot less room they are a favoured choice for busy locations. Portable cranes can also be taken inside buildings, making them the perfect solution to in-door projects.

## PRECISE POSITIONING

The use of mini cranes, especially the ones equipped with a progressive speed control, lead to a better accuracy when positioning a load or a component that must be handled with care such as molds, engines, etc.

## LOW MAINTENANCE

Our cranes offer long-term performances with a short-term return on investment thanks to their low maintenance costs and reduced downtime, compared to other lifting equipment.

## FAST LEAD TIMES

One of our main goals is to be able to meet our customers' demand as efficiently as possible, always ensuring a ready-to-ship stock of almost all our mobile crane models.

## INCREASED ERGONOMICS

The use of mini cranes for moving and lifting loads eliminates physical efforts and manual operations and reduces injuries caused by musculoskeletal trauma.

# POPULAR APPLICATIONS & MARKET SEGMENT



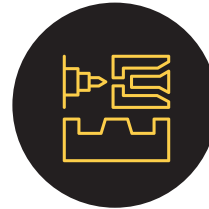
## GLASS PANELS

Using counterbalance cranes is an efficient and safe solution for installing glass panels, whether in building construction, renovation or architectural projects.



## TESTING

Counterbalance cranes are versatile and precise tools for positioning components on test benches. They offer benefits in safety, productivity and flexibility, making them a common choice for companies involved in product manufacturing and testing.



## PLASTIC INJECTION PROCESSES

Using counterbalance cranes to change molds is a common practice in the manufacturing industry, especially in the production of plastic parts, die-cast products and other molding processes.



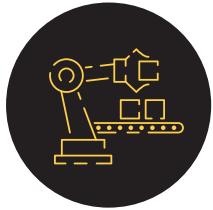
## MAINTENANCE

Cantilever cranes are often used in the aviation industry for specific aircraft-related tasks. For handling engines, dismantling seats, raising sensitive components such as radars or antennas, etc.



## TRAIN

Cantilever cranes are frequently used in the railway industry for servicing and maintaining trains. They are used for replacing components such as wheels, brakes, suspensions and engines. Cranes make it easy to lift and precisely position these components.



## ASSEMBLY LINE

Using mini mobile cranes along assembly lines can improve production efficiency, reduce the risk of accidents, and enable loads to be handled precisely in spaces where other equipment can't be maneuvered. This helps optimize manufacturing operations.



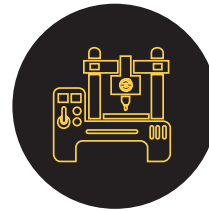
## PICKING

Using mini mobile cranes to bypass ground obstacles, where traditional workshop cranes cannot access due to their stabilizing legs, offers a practical and effective solution in various scenarios. They are extremely useful tools for lifting tasks in hard-to-reach spaces.



## ROOFTOP

Mini mobile cranes provide the lifting power needed while being compact enough to be transported and used in a variety of situations, making them indispensable for many jobs at height.



## CNC MACHINES

Using mini mobile cranes for tool changing and positioning on CNC machines improves the efficiency, safety and precision of machining operations. They have become essential equipment in many high-precision production workshops.



[www.flexlifting.com](http://www.flexlifting.com)

Via Morandi, 21  
40060 Toscanella di Dozza (Bologna), Italy

PH: +39 0542 67 34 34

[info@flexlifting.com](mailto:info@flexlifting.com)